



IPC Integrated Professional Cleaning

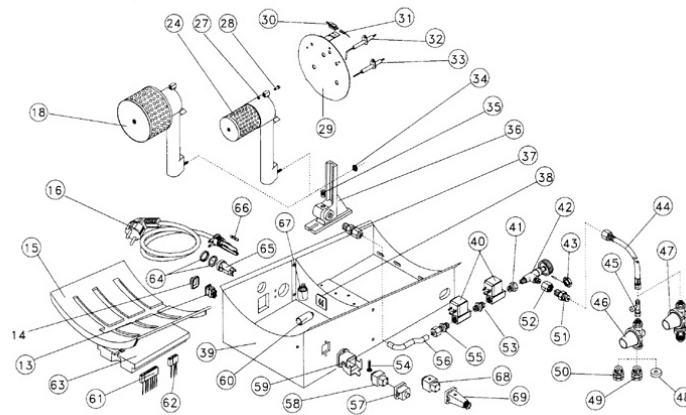
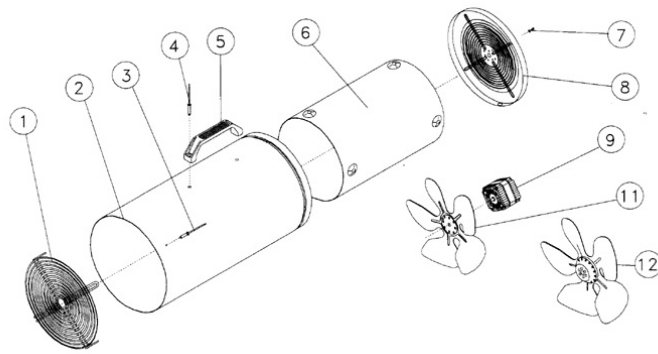
IPC Portotecnica

Spare Parts List

PORTOTECNICA

Ref: GNAC41873

Model: GENER. MOBILCALOR GX 60 230/50 3-06PRT



Ref.	K	Part N.	Customer Part N.	Description	Qty	Validity:		Price
						From	To	
0009		MOMB45829		BURNER MOTOR GX 110W	1,00			--
0013		MECI46236		SWITCH GX 60-80	1,00			--
0014		MEVR46237		CAP GX 60-80	1,00			--
0015		MPVR40221		COVER M.CALOR GX 60	1,00			--
0016		MECB48822		CABLE M.CALOR KD	1,00			--
0024		BRGG45839		BURNER GX.60 GAS	1,00			--
0027		VTDD63175		NUT M 5 FL.	1,00			--
0028		VTVT14062		SCREW TE 5X16 UNI5739	1,00			--
0029		LAFN45840		DISC GX.30-60	1,00			--
0030		METK28951		THERMOSTAT G.40	1,00			--
0032		MECA28950		ELECTRODE M.CAL. GX	1,00			--
0033		MEVR44006		PROBE M.CAL.GX	1,00			--
0035		UGBR45835		BURNER NOZZLE D. 1.5 GAS	1,00			--
0036		LAFN44346		SUPPORT GX 60 2V.	1,00			--
0037		RCVR48342		CONNECTOR G 1/4M DTT -D. 6- 8	1,00			--
0040		MEEV28949		SOLENOID VALVE SCEM VE131.4GG	2,00			--
0042		MPVR45837		TAP GX	1,00			--
0044		TBCO37649		HOSE-FITTING 3/8FSX-1/4FSX G40	1,00			--
0045		VVSC44261		VALVE GX.1/4	1,00			--
0046		VVSC44262		ADJUSTER GX 2BAR	1,00			--
0049		RCVR44061		CONNECTOR GAS 1/2 M/F BMB	1,00			--
0059		MEVR43191		COWLING ILME 4P CK03I	1,00			--
0060		MECO45831		CAPACITOR 3.15 MF	1,00			--
0063		MECF36722		BURNER EQUIP. AC 02 230V 5/60HZ	1,00		12/2000	--
0063		MECF40002		BURNER EQUIP. GX-2V. 230V 5/60HZ	1,00	02/2009		--
0063		MECF46526		BURNER EQUIP. GX-DM31 230V 5/60HZ	1,00	01/2001	01/2009	--
0065		MECI45828		SWITCH GX RESET	1,00			--
0067		MECE45832		FILTER LC	1,00			--
0068		MEVR27048		PLUG ILME M.CALOR S	1,00			--
0069		MEVR36799		PLUG CN.ILME 3P+T CK	1,00			--