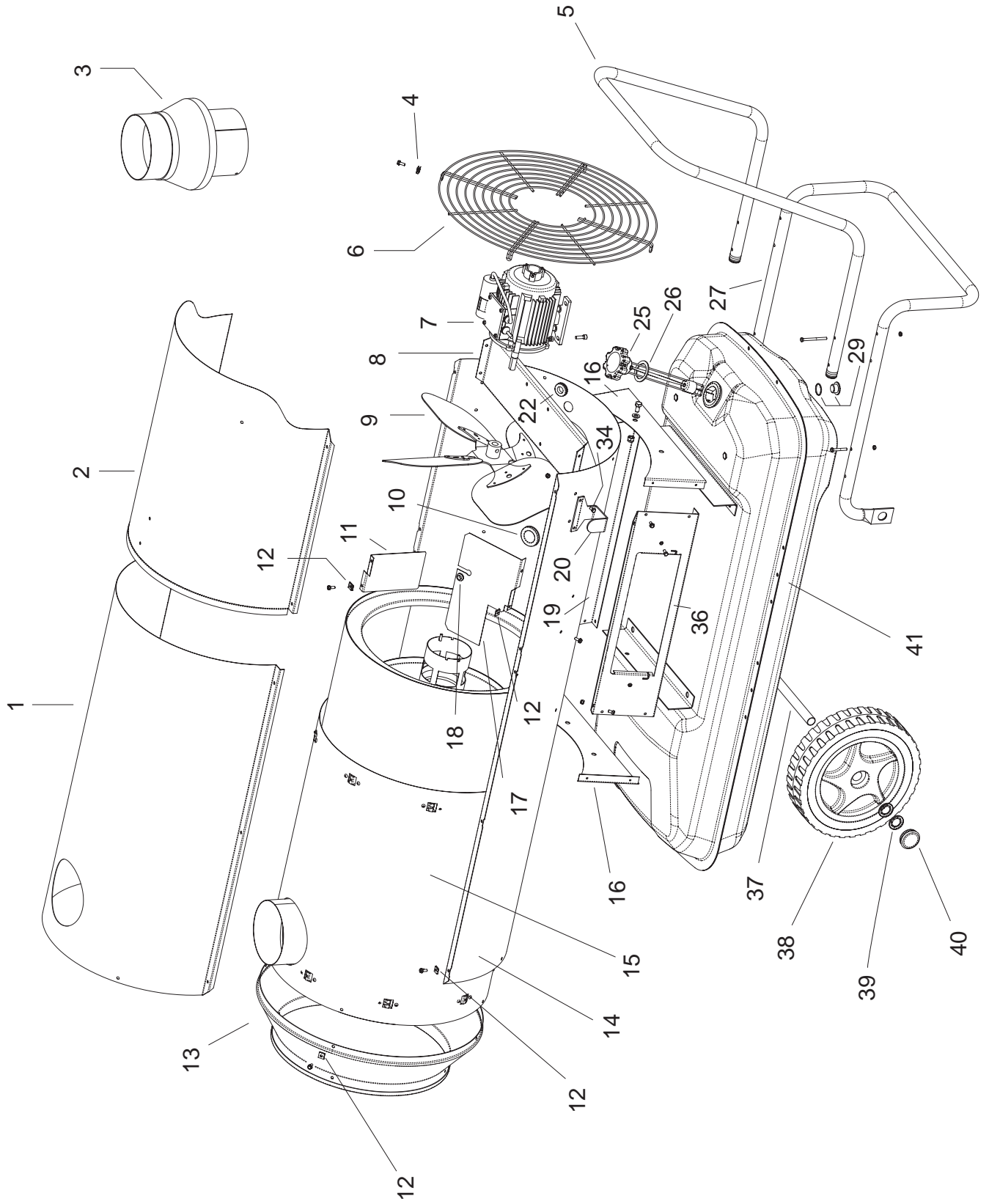


6J& \$ 9'1 ? '%&\$J A5 GH9F

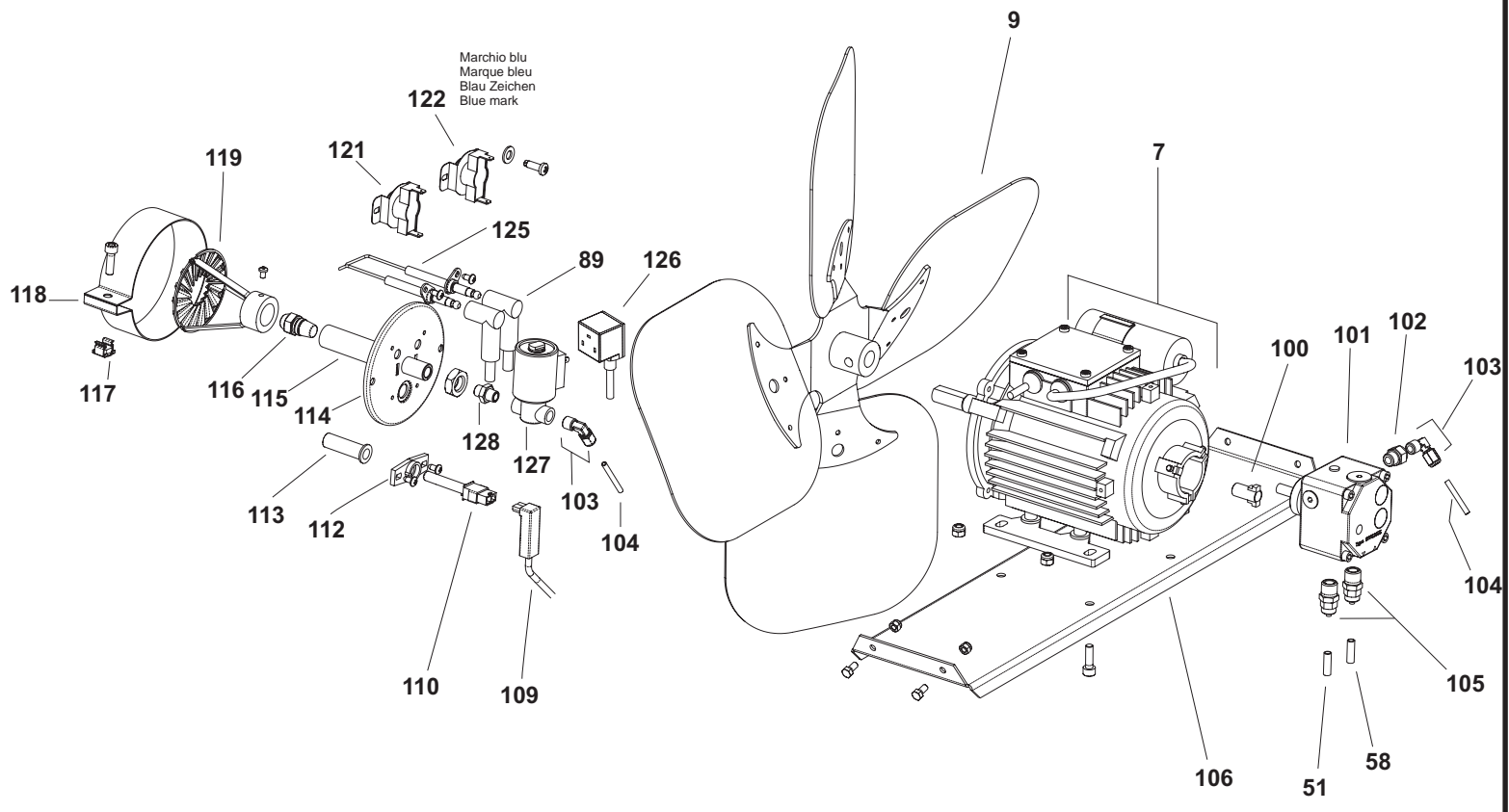
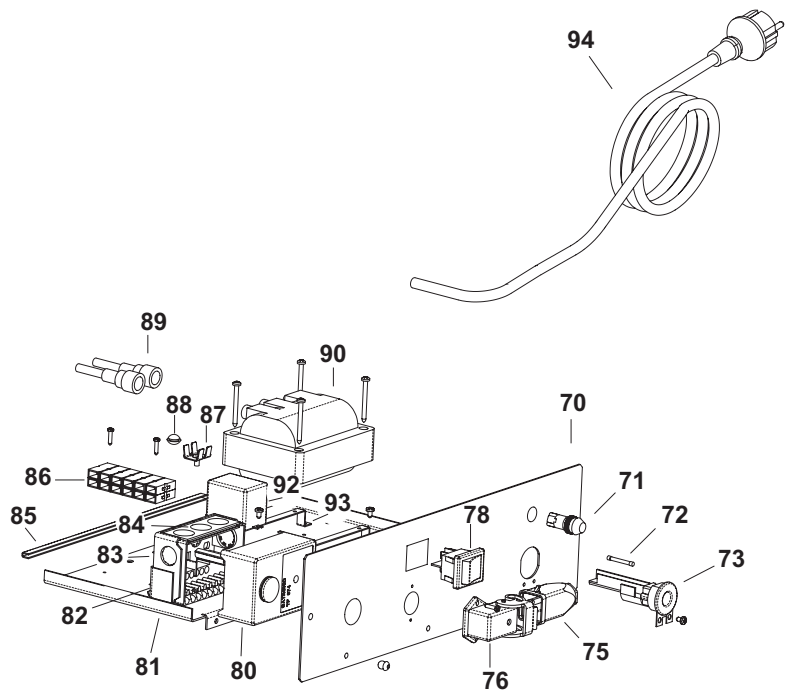
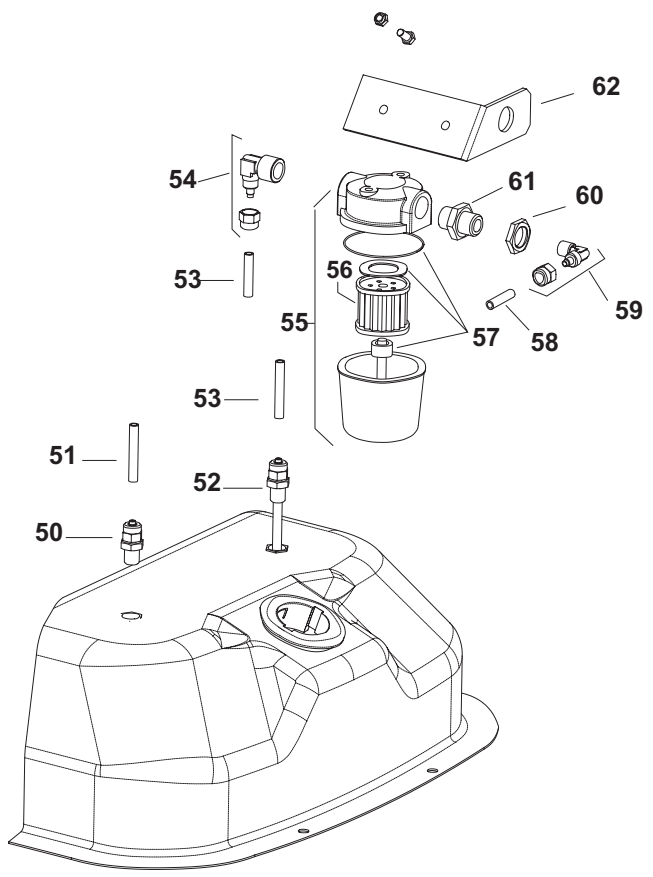
UNIT 1

ILLUSTRATED PARTS BREAKDOWN

Edizione 2005
Rev. 0



Edizione 2005
Rev. 0



VENTED HEATERS BV 290 UK 110V

Pos.	Code NR	Description
1	S/R	Upper body
2	S/R	Upper body mobile
3	4032.534	Chimney
4	4111.241	Elastic plate
5	4032.480	Handle frame
6	4032.465	Inlet grille
7	4032.498	Motor 4PW 120V/50-60
8	4032.716	Motor flange support
9	4032.430	Fan
10	4111.056	Protection cable
11	4032.518	Central Air flap
12	4104.170	Clip nut
13	4032.452	Outlet cone
14	S/R	Lower body
15	4032.408	Combustion chamber
16	S/R	Base
17	4032.462	Air flap
18	4101.151	Protection cable
19	4032.468	Side Panel
20	4032.536	Power cord hook
22	4160.646	Protection cable
25	4032.475	Fuel level probe
26	4032.537	Tank plug seal
27	4032.476	Foot frame
29	4100.632	Drain plug
36	S/R	Electr. componets drawer panel
37	4032.478	Axle
38	4110.978	Wheel
39	4111.072	Wheel holder Ø 20
40	4111.480	Wheel plug
41	4032.439	Fuel tank
50	4032.488	Conn. straight M10
51	4032.436	Fuel pipe pump-tank
52	4032.092	Pipe connection M10
53	4032.434	Fuel pipe tank-filter
54	4031.803	Connection 90° 3/8"
55	4111.045	Filter with cartidge 3/8"
56	4031.015	Filter cartridge
57	4111.116	OR KIT filter
58	4032.435	Fuel pipe filter-pump
59	4111.273	Connection 90° 1/8"
60	4031.800	Conn. straight 3/8" Mx5
61	4031.802	Double screw
62	4032.437	Filter support
70	4032.466	Electr. componets drawer
71	4117.058	Pilot lamp
72	4032.503	Fuse (6,3x32) 20 A

VENTED HEATERS BV 290 UK 110V

Pos.	Code NR	Description
73	4111.038	Cable fastener
75	4111.118	Thermostat plug
76	4111.119	Plate plug
78	4160.637	Switch
80	4117.173	Control box Stronic DKO972
81	4032.448	Electr. Components base
82	4032.499	Control box support
83	4117.170	Control box base
84	4110.967	Support PG photocell
85	4110.155	Edge Liner
86	4111.033	Terminal board
87	4160.639	Pop rivet with termin. 4 way
88	4032.450	Plastic pin
89	4110.971	H.T. cable
90	4032.501	Transformer 110V
92	4031.514	Relay Finder 110V/50-60
93	4111.030	Transformer support
94	4111.449	Power cord UK
100	4111.081	Coupling Simel
101	4032.432	Pump Danfoss
102	4161.501	Nut for bicone 1/8
103	4161.140	Connection 90° 1/8"
104	4032.433	Oil supply pipe
105	4031.160	Conn. Straight 1/4"
106	4032.716	Motor flange support
109	4110.970	Photocell conn. cable
110	4110.966	Photocell
112	4111.076	Photocell block bracket
113	4032.406	Photocell support
114	4032.405	Burner flange
115	4032.403	Nozzle support
116	4031.030	Nozzle 1,50 GPH 80°S
117	4032.454	Nut M6
118	4032.453	Air regulatoin flap
119	4032.570	Turbo disc
121	4031.045	Fan Thermostat
122	4031.047	Limit Thermostat
125	4031.095	Electrode
126	4032.110	Power cord Solenoid spool
127	4031.046	Solenoid spool 110V/50Hz
128	4160.968	Conn. straight 1/8"

S/R – Parts available by special request only