

Motor and Pump Assembly

Spareparts MASTER HEATERS

MODEL 35 CEB 35,000 Btu/Hr Model

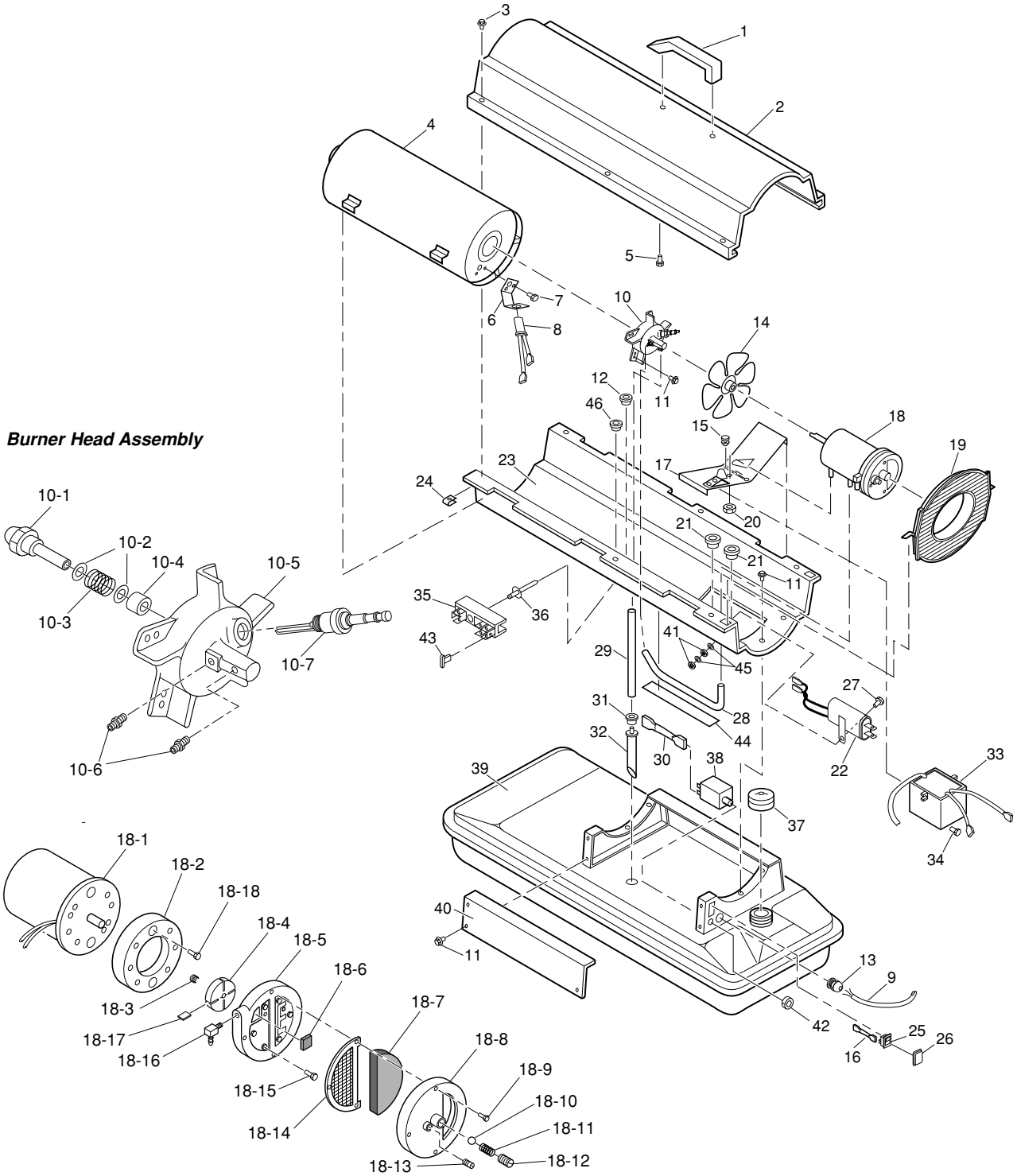
PARTS LIST

Key No.	Part Number	Description	Qty.	Key No.	Part Number	Description	Qty.
1	4103.784	Handle	1	18-17	4101.666	Blade	4
2	4103.842	Upper Shell	1	18-18	4108.590	Screw, #10-32 x 3/4"	2
3	4109.590	Screw/Lockwasher, 1/2"	6	19	4103.685	Fan Guard	1
4	4104.060	Combustion Chamber	1	20	4108.486	Hex locknut	2
5	4100.671	Heat Shield	1	21	4101.152	Bushing (wires)	2
6	4108.510	Screw, #10-16 x 3/4"	2	22	4110.124	Screw/Lockwasher, 1/2"	11
7	4103.537	Photocell Bracket	1	23	4105.195	Lower Shell	1
8	4103.529	Screw, #6-32 x 3/8"	2	24	4104.170	Clip Nut	6
9	4103.552	Photocell Assembly	1	25	4109.580	Screw, #10-32 x 3/4"	1
10	S/R	Power Cord	1	26	4109.633	Rubber Airline	1
11	**	Burner Strap Assembly	1	27	4109.567	Fuel Line	1
11-1	4110.092	Bracket	1	28	S/R	Wire Assembly (red)	1
11-2	4109.526	Spark Plug	1	29	4100.541	Rubber Bushing	1
11-3	4109.542	Nozzle Adapter	1	30	4109.575	Fuel Filter Assembly	1
11-4	4109.518	Nut, 14mm	1	31	4106.095	Electronic Ignitor	1
11-5	4100.648	Nozzle	1	32	4108.510	Screw, #10-16 x 3/4"	2
12	4105.287	Power Line RFI Filter	1	33	4106.110	Terminal Board	1
13	4101.151	Bushing	1	34	N/A	Rivet	1
14	4150.528	Strain Relief Bushing	1	35	4104.196	Flame-Out Control	1
15	4103.651	Fan	1	36	4103.891	Fuel Tank Cap	1
16	4150.553	Rubber Bumper	2	37	4105.294	Fuel Tank	1
17	4109.560	Motor Bracket	1	38	4104.175	Side Cover	1
18	**	Motor and Pump Assembly	1	39	4100.673	Nut, #10-32	3
18-1	4106.098	Motor (230V/50Hz)	1	40	4109.592	Hex Nut	1
18-2	4101.532	Pump Body	1	41	N/A	Terminal Board Tab Cap	2
18-3	4108.635	Insert	1	42	S/R	Vinyl Foam Gasket	1
18-4	4103.441	Rotor	1	43	4100.527	Lock Washer, #10	2
18-5	4109.724	End Pump Cover	1	44	S/R	Wire Assembly (black)	2
18-6	4109.716	Lint Filter	1	45	4106.179	ON/OFF Switch	1
18-7	4109.690	Intake Filter	1	46	4104.336	Switch Cover	1
18-8	4109.674	End Cover	1	47	N/A	Bushing	1
18-9	4108.528	Screw, #10-32 x 1"	3	PARTS AVAILABLE - NOT SHOWN			
18-10	4108.379	Steel Ball (1/4" Dia.)	1				
18-11	4102.141	Pressure Relief Spring	1		4105.292	Filler Neck Screen	1
18-12	4102.133	Adjusting Screw	1		4110.138	Tradename Decal	2
18-13	4102.125	Plug	1		S/R	Combustion Chamber	
18-14	4109.708	Output Filter	1			Ground Wire	1
18-15	4108.536	Screw, #10-32 x 1 1/8"	6		4110.150	Decal Package	1
18-16	4101.156	Elbow, 90° (Barb Fitting)	1				

S/R = Parts Available by Special Request Only

N/A = Parts Not Available

This list contains replaceable parts used in your heater. When ordering parts, be sure to provide the correct model and serial numbers (from the model plate), then the part number and description of the desired part.



Burner Head Assembly

Motor and Pump Assembly

Spareparts MASTER HEATERS

MODEL 70 CEB 70,000 Btu/Hr Model

PARTS LIST

Key No.	Part Number	Description	Qty.	Key No.	Part Number	Description	Qty.
1	4103.784	Handle	1	18-15	4108.528	Screw, #10-32 x 1"	6
2	4103.842	Upper Shell	1	18-16	4101.156	Elbow, 90° (Barb Fitting)	1
3	4109.590	Screw/Lockwasher, 1/2"	6	18-17	4101.200	Blade	4
4	4104.090	Combustion Chamber	1	18-18	4108.588	Screw, #10-32 x 5/8"	2
5	4108.510	Screw, #10-16 x 3/4"	2	18-19	4101.851	Capacitor	1
6	4103.537	Photocell Bracket	1	19	4103.685	Fan Guard	1
7	4103.529	Screw, #6-32 x 3/8"	2	20	4108.486	Hex locknut	2
8	4103.552	Photocell Assembly	1	21	4101.152	Bushing (wires)	2
9	S/R	Power Cord	1	22	4105.287	Power Line RFI Filter	1
10	**	Burner Head Assembly	1	23	4105.195	Lower Shell	1
10-1	4103.486	Nozzle	1	24	4104.170	Clip Nut	6
10-2	4100.525	Nozzle Seal Washer	2	25	4106.179	ON/OFF Switch	1
10-3	4100.533	Nozzle Seal Spring	1	26	4104.336	Switch Cover	1
10-4	4101.622	Nozzle Seal Sleeve	1	27	4109.580	Screw, #10-32 x 3/4"	1
10-5	4109.351	Burner Head Body	1	28	4109.633	Rubber Airline	1
10-6	4106.071	Barb Fitting	2	29	4105.508	Fuel Line	1
10-7	4101.846	Spark Plug	1	30	N/A	Wire Assembly (red)	1
11	4110.124	Screw/Lockwasher, 1/2"	12	31	4100.541	Rubber Bushing	1
12	4101.151	Bushing	1	32	4103.875	Fuel Filter Assembly	1
13	4150.528	Strain Relief Bushing	1	33	4106.095	Electronic Ignitor	1
14	4103.651	Fan	1	34	4108.510	Screw, #10-16 x 3/4"	2
15	4150.553	Rubber Bumper	2	35	4106.110	Terminal Board	1
16	S/R	Wire Assembly (black)	2	36	N/A	Rivet	1
17	4109.560	Motor Bracket	1	37	4103.891	Fuel Tank Cap	1
18	**	Motor and Pump Assembly	1	38	4104.196	Flame-Out Control	1
			1	39	4100.643	Fuel Tank	1
18-1	4109.780	Motor with capacitor	1	40	4104.183	Side Cover	1
18-2	4101.317	Pump Body	1	41	4100.673	Nut, #10-32	3
18-3	4108.635	Insert	1	42	4109.592	Hex Nut	1
18-4	4108.627	Rotor	1	43	N/A	Terminal Board Tab Cap	2
18-5	4109.724	End Pump Cover	1	44	S/R	Vinyl Foam Gasket	1
18-6	4109.736	Lint Filter	1	45	4100.527	Lock Washer, #10	2
18-7	4109.690	Intake Filter	1	46	S/R	Bushing	1
18-8	4109.674	End Cover	1	PARTS AVAILABLE - NOT SHOWN			
18-9	4108.528	Screw, #10-32 x 1"	3		4105.292	Filler Neck Screen	1
18-10	4108.379	Steel Ball (1/4" Dia.)	1		4110.138	Tradename Decal	2
18-11	4102.141	Pressure Relief Spring	1		S/R	Combustion Chamber	
18-12	4102.133	Adjusting Screw	1			Ground Wire	1
18-13	4102.125	Plug	1		S/R	Decal Package	1
18-14	4109.708	Output Filter	1				

S/R = Parts Available by Special Request Only

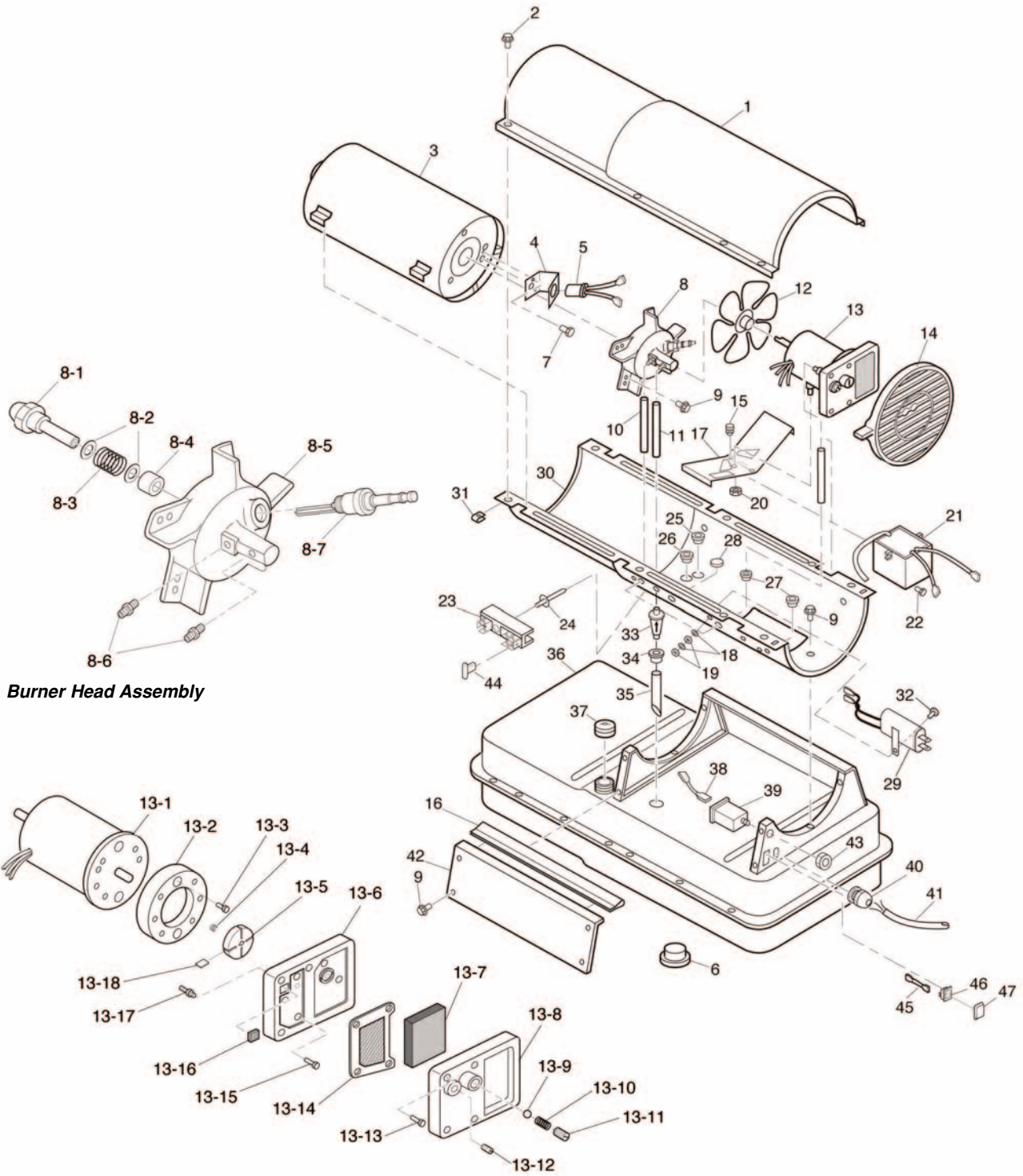
N/A = Parts Not Available

This list contains replaceable parts used in your heater. When ordering parts, be sure to provide the correct model and serial numbers (from the model plate), then the part number and description of the desired part.

Spareparts MASTER HEATERS

MODEL 100 CEB 100,000 Btu/Hr Model

ILLUSTRATED PARTS BREAKDOWN



Spareparts MASTER HEATERS

MODEL 100 CEB 100,000 Btu/Hr Model

PARTS LIST

Key No.	Part Number	Description	Qty.	Key No.	Part Number	Description	Qty.
1	4104.006	Upper Shell	1	15	4150.553	Rubber Bumper	2
2	4109.590	Screw/Lockwasher, 1/2"	8	16	4103.850	Edge Liner	1
3	4101.180	Combustion Chamber	1	17	4110.186	Motor Bracket	1
4	4103.537	Photocell Bracket	1	18	4100.527	Lock Washer, #10	2
5	4103.552	Photocell Assembly	1	19	4100.673	Nut, #10-32	3
6	4100.632	Drain Plug	1	20	4108.486	Hex locknut	2
7	4103.529	Screw, #6-32 x 3/8"	2	21	4106.095	Electronic Ignitor	1
8	**	Burner Head Assembly	1	22	4108.510	Screw, #10-16 x 3/4"	2
8-1	4103.559	Nozzle	1	23	4106.110	Terminal Board	1
8-2	4100.525	Nozzle Seal Washer	2	24	N/A	Rivet	1
8-3	4100.533	Nozzle Seal Spring	1	25	4101.112	Bushing	1
8-4	4101.622	Nozzle Seal Sleeve	1	26	4101.112	Bushing	1
8-5	4109.352	Burner Head Body	1	27	4101.232	Bushing	2
8-6	4104.118	Barb Fitting	2	28	4110.070	Button Plug	1
8-7	4101.846	Spark Plug	1	29	4105.287	Power Line RFI Filter	1
9	4110.124	Screw/Lockwasher, 1/2"	13	30	4108.126	Lower Shell	1
10	4104.147	Air Line	1	31	4104.170	Clip Nut	8
11	4110.032	Fuel Line	1	32	4109.580	Screw, #10-32 x 3/4"	1
12	4105.062	Fan	1	33	4100.630	Fuel filter	1
13	**	Motor and Pump Assembly	1	34	4100.541	Rubber Bushing	1
13-1	4108.550	Motor with capacitor	1	35	4110.147	Fuel Line	1
13-2	4101.317	Pump Body	1	36	4105.298	Fuel Tank	1
13-3	4108.588	Screw, #10-32 x 5/8"	2	37	4103.891	Fuel Tank Cap	1
13-4	4108.635	Insert	1	38	N/A	Wire Assembly (red)	1
13-5	4108.627	Rotor	1	39	4104.196	Flame-Out Control	1
13-6	4101.325	End Pump Cover	1	40	4150.528	Strain Relief Bushing	1
13-7	4101.358	Intake Filter	1	41	S/R	Power Cord	1
13-8	4108.643	End Cover	1	42	4104.183	Side Cover	1
13-9	4108.379	Steel Ball (1/4" Dia.)	1	43	4109.592	Hex Nut	1
13-10	4102.141	Pressure Relief Spring	1	44	N/A	Terminal Board Tab Cap	2
13-11	4102.133	Adjusting Screw	1	45	S/R	Wire Assembly (black)	2
13-12	4102.125	Plug	1	46	4106.179	ON/OFF Switch	1
13-13	4108.528	Screw, #10-32 x 1"	4	47	4104.336	Switch Cover	1
13-14	4101.341	Output Filter	1	PARTS AVAILABLE - NOT SHOWN			
13-15	4108.528	Screw, #10-32 x 1"	6				
13-16	4101.333	Lint Filter	1		4105.292	Filler Neck Screen	1
13-17	4104.118	Barb Fitting	1		4110.138	Tradenname Decal	2
13-18	4101.200	Blade	4		S/R	Combustion Chamber	
13-19	4101.937	Capacitor	1			Ground Wire	1
14	4103.695	Fan Guard	1		S/R	Decal Package	1

S/R = Parts Available by Special Request Only

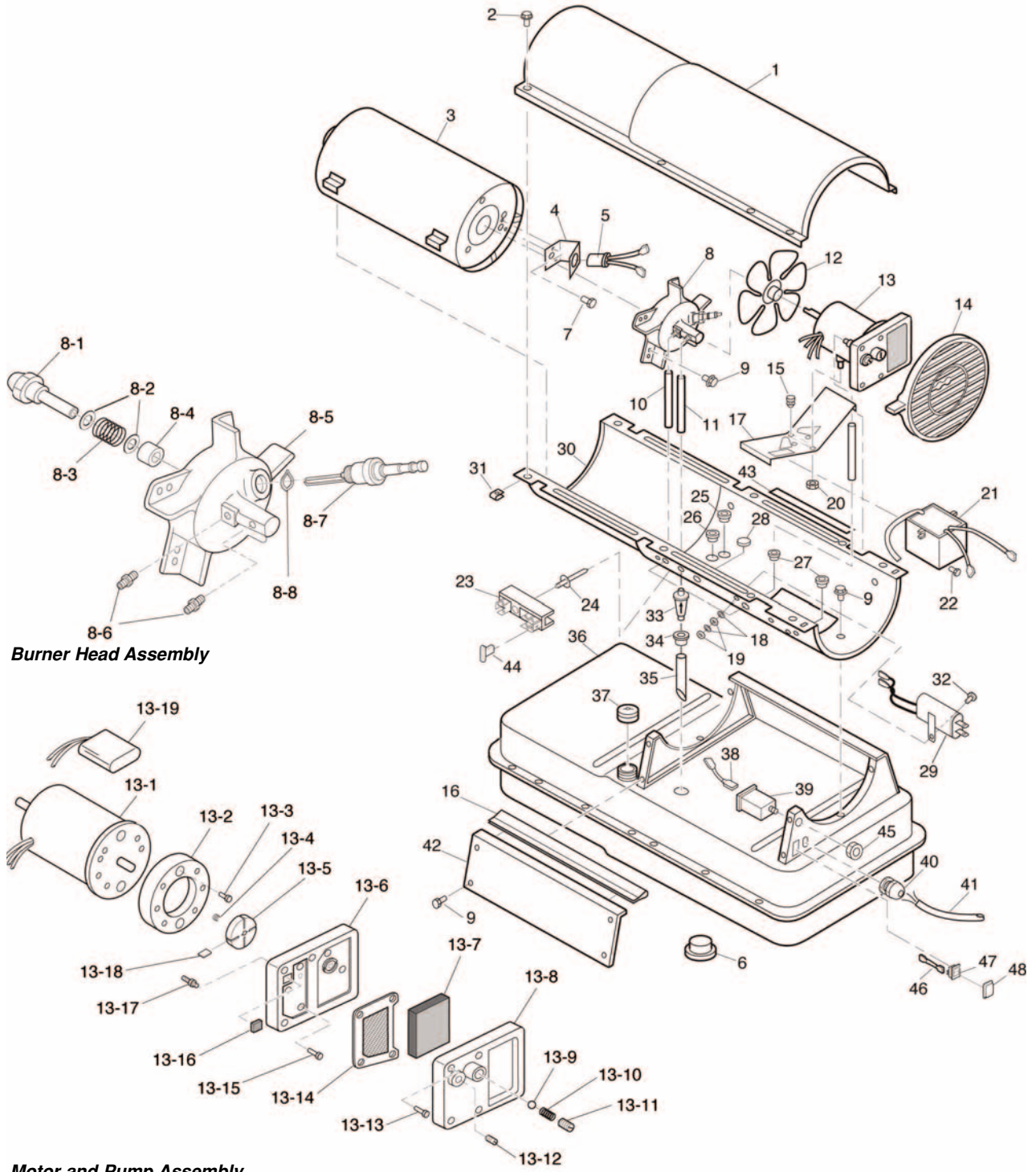
N/A = Parts Not Available

This list contains replaceable parts used in your heater. When ordering parts, be sure to provide the correct model and serial numbers (from the model plate), then the part number and description of the desired part.

Spareparts MASTER HEATERS

MODEL 150 CEB 150,000 Btu/Hr Model

ILLUSTRATED PARTS BREAKDOWN



Spareparts MASTER HEATERS

MODEL 150 CEB 150,000 Btu/Hr Model

PARTS LIST

Key No.	Part Number	Description	Qty.	Key No.	Part Number	Description	Qty.
1	4104.006	Upper Shell	1	15	4108.536	Scew, #10-32 x 1 1/8"	6
2	4109.590	Screw/Lockwasher, 1/2"	8	16	4103.850	Edge Liner	1
3	4104.088	Combustion Chamber	1	17	4110.186	Motor Bracket	1
4	4103.537	Photocell Bracket	1	18	4100.527	Lock Washer, #10	2
5	4103.552	Photocell Assembly	1	19	4100.673	Nut, #10-32	3
6	4100.632	Drain Plug	1	20	4108.486	Hex locknut	2
7	4103.529	Screw, #6-32 x 3/8"	2	21	4106.095	Electronic Ignitor	1
8	**	Burner Head Assembly	1	22	4108.510	Screw, #10-16 x 3/4"	2
8-1	4103.898	Nozzle	1	23	4106.110	Terminal Board	1
8-2	4100.525	Nozzle Seal Washer	2	24	NA	Rivet	1
8-3	4100.533	Nozzle Seal Spring	1	25	4101.112	Bushing	1
8-4	4101.622	Nozzle Seal Sleeve	1	26	4101.112	Bushing	1
8-5	4105.187	Burner Head Body	1	27	4101.232	Bushing	2
8-6	4104.118	Barb Fitting	2	28	4110.070	Button Plug	1
8-7	4101.846	Spark Plug	1	29	4105.287	Power Line RFI Filter	1
8-8	4100.526	Wave Spring Washer	1	30	4108.126	Lower Shell	1
9	4110.124	Screw/Lockwasher, 1/2"	13	31	4104.170	Clip Nut	8
10	4104.156	Air Line	1	32	4109.590	Screw, #10-32 x 3/4"	1
11	4110.032	Fuel Line	1	33	4100.630	Fuel filter	1
12	4105.062	Fan	1	34	4100.541	Rubber Bushing	1
13	**	Motor and Pump Assembly	1	35	4101.262	Fuel Line	1
13-1	4108.550	Motor	1	36	4105.299	Fuel Tank	1
13-2	4101.532	Pump Body	1	37	4103.891	Fuel Tank Cap	1
13-3	4108.590	Screw, #10-32 x 3/4"	2	38	S/R	Wire Assembly (red)	1
13-4	4108.635	Insert	1	39	4104.196	Flame-Out Control	1
13-5	4103.441	Rotor	1	40	4150.528	Strain Relief Bushing	1
13-6	4101.325	End Pump Cover	1	41	S/R	Power Cord	1
13-7	4101.358	Intake Filter	1	42	4104.183	Side Cover	1
13-8	4108.643	End Cover	1	43	4110.041	Vinyl Foam Gasket	2
13-9	4108.379	Steel Ball (1/4" Dia.)	1	44	N/A	Terminal Board Tab Cap	2
13-10	4102.141	Pressure Relief Spring	1	45	4109.592	Hex Nut	1
13-11	4102.133	Adjusting Screw	1	46	S/R	Wire Assembly (black)	2
13-12	4102.125	Plug	1	47	4106.179	ON/OFF Switch	1
13-13	4108.528	Screw, #10-32 x 1"	4	48	4104.336	Switch Cover	1
13-14	4101.341	Output Filter	1	PARTS AVAILABLE - NOT SHOWN			
13-15	4108.536	Screw, #10-32 x 1 1/8"	6		4105.292	Filler Neck Screen	1
13-16	4101.333	Lint Filter	1		S/R	Tradenname Decal	2
13-17	4104.118	Barb Fitting	1		S/R	Combustion Chamber	
13-18	4101.666	Blade	4			Ground Wire	1
13-19	4101.937	Capacitor	1			Decal Package	1
14	4103.695	Fan Guard	1		S/R		

S/R = Parts Available by Special Request Only

N/A = Parts Not Available

This list contains replaceable parts used in your heater. When ordering parts, be sure to provide the correct model and serial numbers (from the model plate), then the part number and description of the desired part.