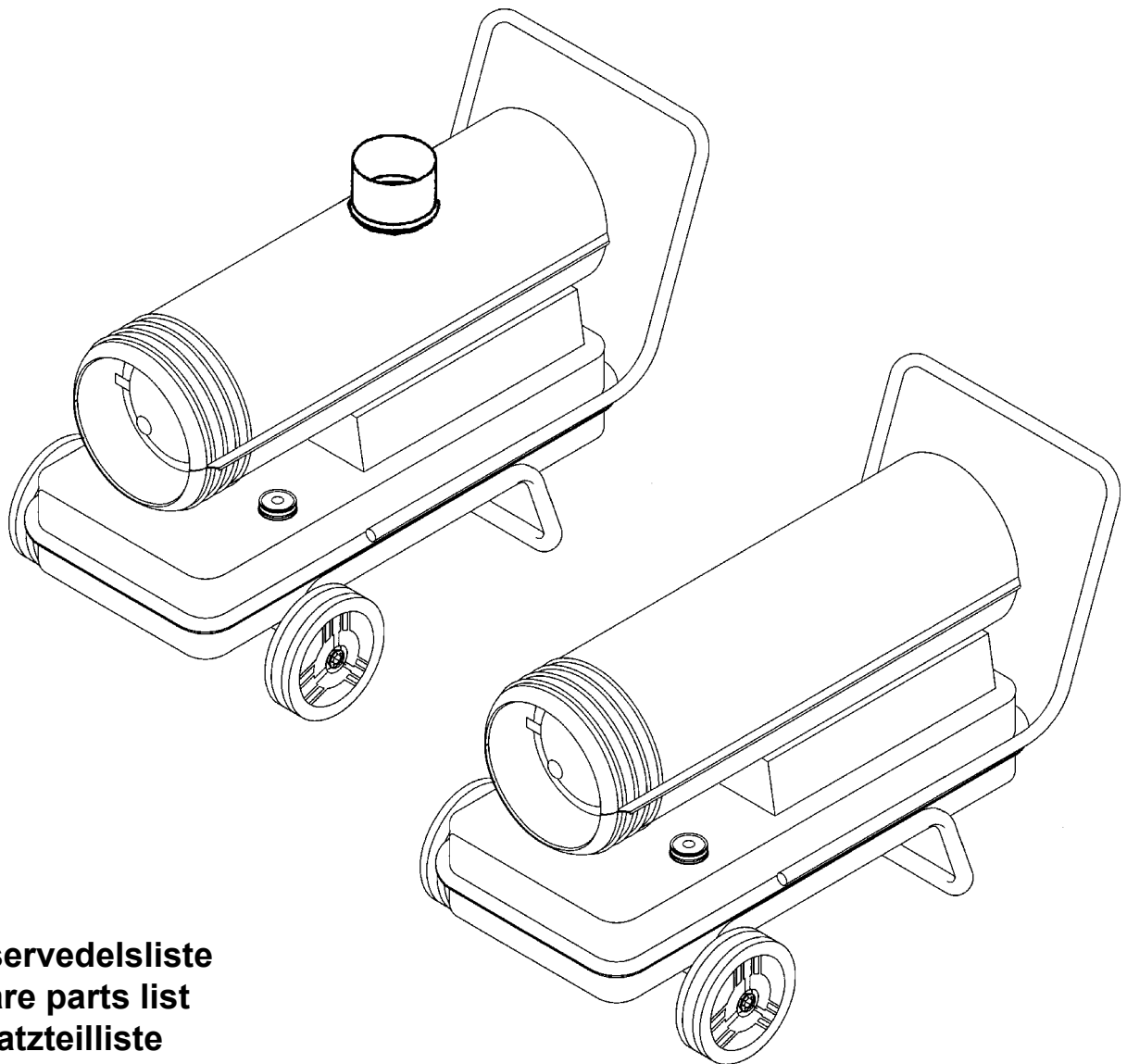


K 20/30/40 C
KAI 25 C



Reservedelsliste
Spare parts list
Ersatzteilliste
Onderdelenlijst
Liste de pièce de rechange
Lista dei pezzi di ricambio

K 20 C

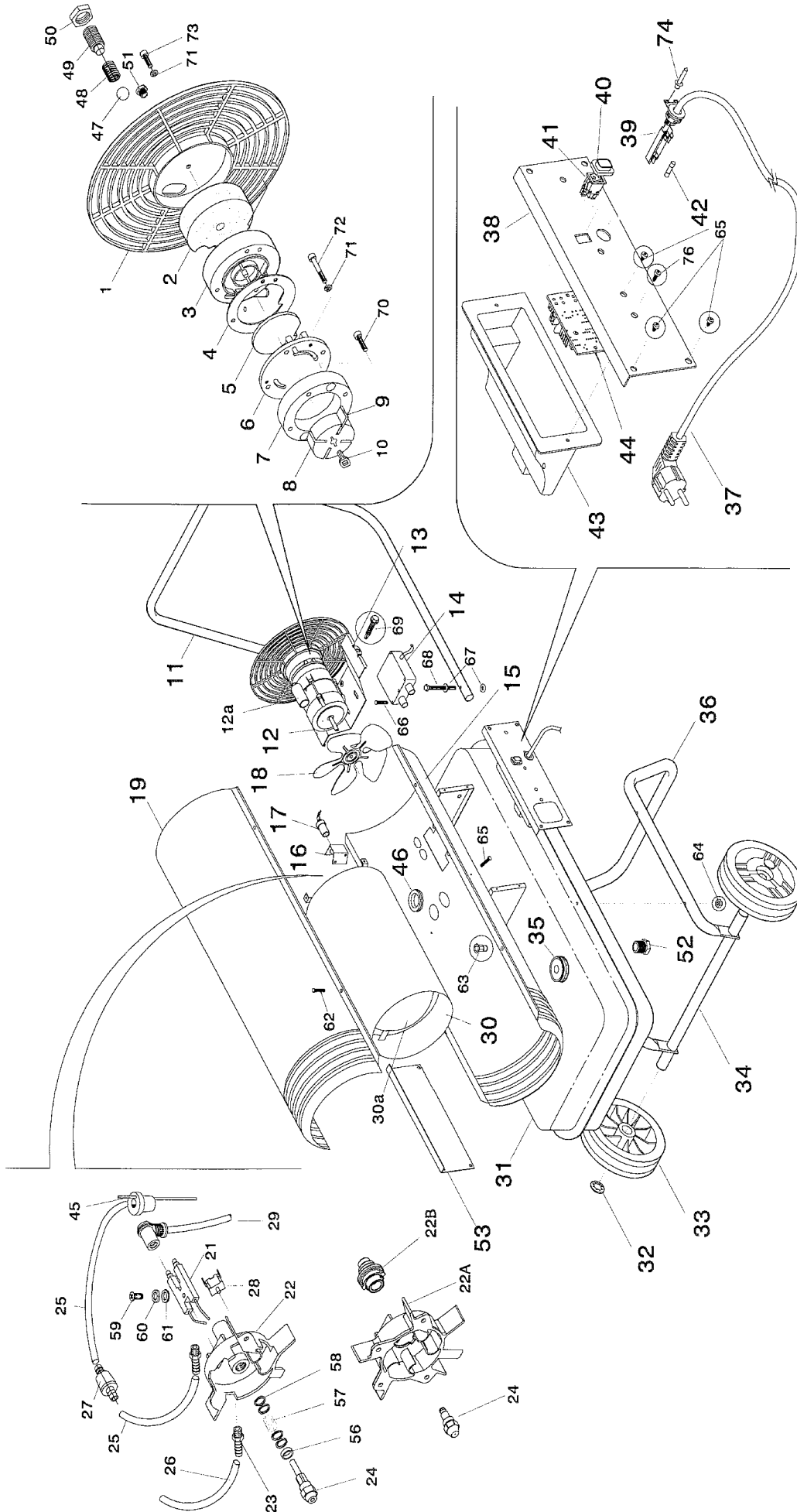


Fig.	Part no.	Pieces	Description	From	To	Notes
1	9021006000111	1	REAR GRID			
2	9021086001711	1	SUCTION FILTER			
3	9021094007311	1	FILTER CASING			
4	9021002001311	1	GASKET			
5	9021086000111	1	OUTLET FILTER			
6	9021094007211	1	COMPRESSOR COVER	jun-05		
7	9021099002811	1	STATOR RING TH. 17			
8	9021099001611	1	ROTOR TH. 17			
9	9021099001511	1	BLADE TH. 17			
10	9021001008211	1	COUPLING L.17			
11	MANT#GRY2020	1	HANDLE			
12	9021040005411	1	MOTOR 100 W 230 V 50 Hz			
12A	9021049001411	1	CAPACITOR 4µF			
13	9021094005911	1	MOTOR SUPPORT			
14	9021033004111	1	TRANSFORMER	jun-06		
15	CORPOGRYP#020911	1	LOWER BODY	jun-06	jun-06	
15	CRPGRYP#020STD11	1	LOWER BODY			
16	9021094013111	1	FLAME SENSOR SUPPORT		okt-03	
16	9021094104211	1	FLAME SENSOR SUPPORT	okt-03		
17	9021050000311	1	FLAME SENSOR		okt-03	
17	9021050000911	1	FLAME SENSOR	jun-04		
18	9021087003411	1	FAN D.190 34°			
19	COPERGRYP#020STD911	1	UPPER BODY		jun-06	
19	COPGRYP#020STD11	1	UPPER BODY	jun-06		
21	9021030001111	1	ELECTRODE			
22	9021094007111	1	BURNER HEAD	jun-04	jun-04	
22A	9021094138011	1	BURNER HEAD			
22B	9021001017011	1	NOZZLE HOLDER	jun-04		
23	9021067006011	1	HOSE CONNECTOR		jun-04	
24	9021088005811	1	NOZZLE 0,65 GPH		jun-04	
24	9021088014211	1	NOZZLE 0,65 GPH	jun-04		
25	9021078000211	1	OIL HOSE L=170mm			
26	9021078000111	1	AIR HOSE L=400mm			
27	9021086001911	1	OIL SUCTION FILTER			
28	9021036001611	1	SAFETY THERMOSTAT			
29	9021039041311	1	HT CABLE	jun-06		
30	CAMERA#GRY320	1	COMBUSTION CHAMBER			
30A	9021094051411	1	FLAME SHIELD			
31	SERBGRYP#020STD20	1	TANK			
32	9021022000811	1	WHEEL RING			
33	9021004000611	1	WHEEL D.150 mm			
34	ASSALE#GRY2020	1	AXLE			
35	9021094004311	1	TANK CAP			
36	TELAJOT#GRY02020	1	FRAME			
37	CAVAL#EUR1500EURP2	1	POWER CORD			
37	CAVAL#EUR1500UKSP2	1	POWER CORD			
37	CAVAL#EUR1500SUIP2	1	POWER CORD			
38	CRUSCGRYP#020F20	1	LEFT SIDE PANEL	jun-02	jun-02	
38	CRUSCGRYP#020N20	1	LEFT SIDE PANEL			
39	9021031001800	1	CABLE CLAMP			
40	9021002002755	1	SWITCH CAP			
41	9021032001900	1	SWITCH			
42	9021035001111	1	FUSE 3,15 A			
43	9021001007736	1	ELECTRICAL PANEL COVER			
44	9021047000811	1	CONTROL UNIT		jun-02	
44	9021047003611	1	CONTROL UNIT	jun-02		
45	9021002005711	1	SUCTION GASKET			
46	9021002002100	1	RUBBER RING			
47	9021023002411	1	BALL D.6 mm			
48	9021023004511	1	SPRING			
49	9021023002511	1	ADJUSTING SCREW			
50	9021017002111	1	NUT			
51	9021067006911	1	CAP			
52	9021067007000	1	DRAIN CAP			
53	CRUSCGRYP#020C20	1	SIDE PANEL			
56	9021002001111	1	NOZZLE RUBBER RING		jun-04	
57	9021023004111	1	NOZZLE SPRING		jun-04	
58	9021018001311	1	WASHER		jun-04	
59	9021016006000	1	SCREW			
60	9021018001000	1	WASHER			
61	9021018001000	1	WASHER			
62	9021016005211	1	SCREW			
63	9021019001600	1	RIVET			
64	9021017000600	1	NUT			
65	9021016001600	1	SCREW			

K 20 C

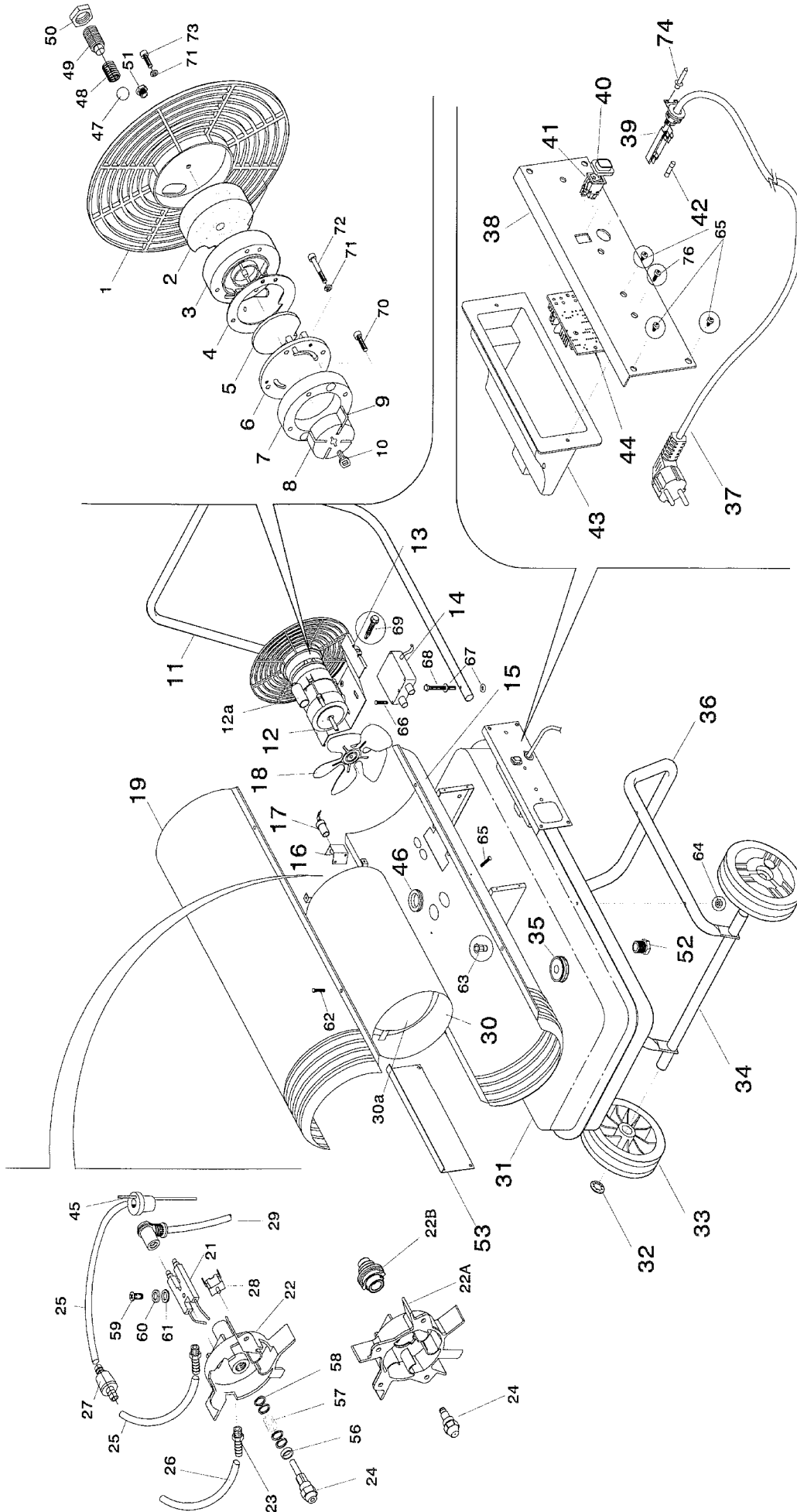


Fig.	Part no.	Pieces	Description	From	To	Notes
66	9021016005711	1	SCREW			
67	9021018000800	1	WASHER			
68	9021016000100	1	SCREW			
69	9021016004500	1	SCREW			
70	9021016005011	1	SCREW			
71	9021018001600	1	WASHER			
72	9021016005100	1	SCREW			
73	9021016007700	1	SCREW			
74	9021019002800	1	RIVET			
76	9021016001700	1	SCREW			

K 30 C

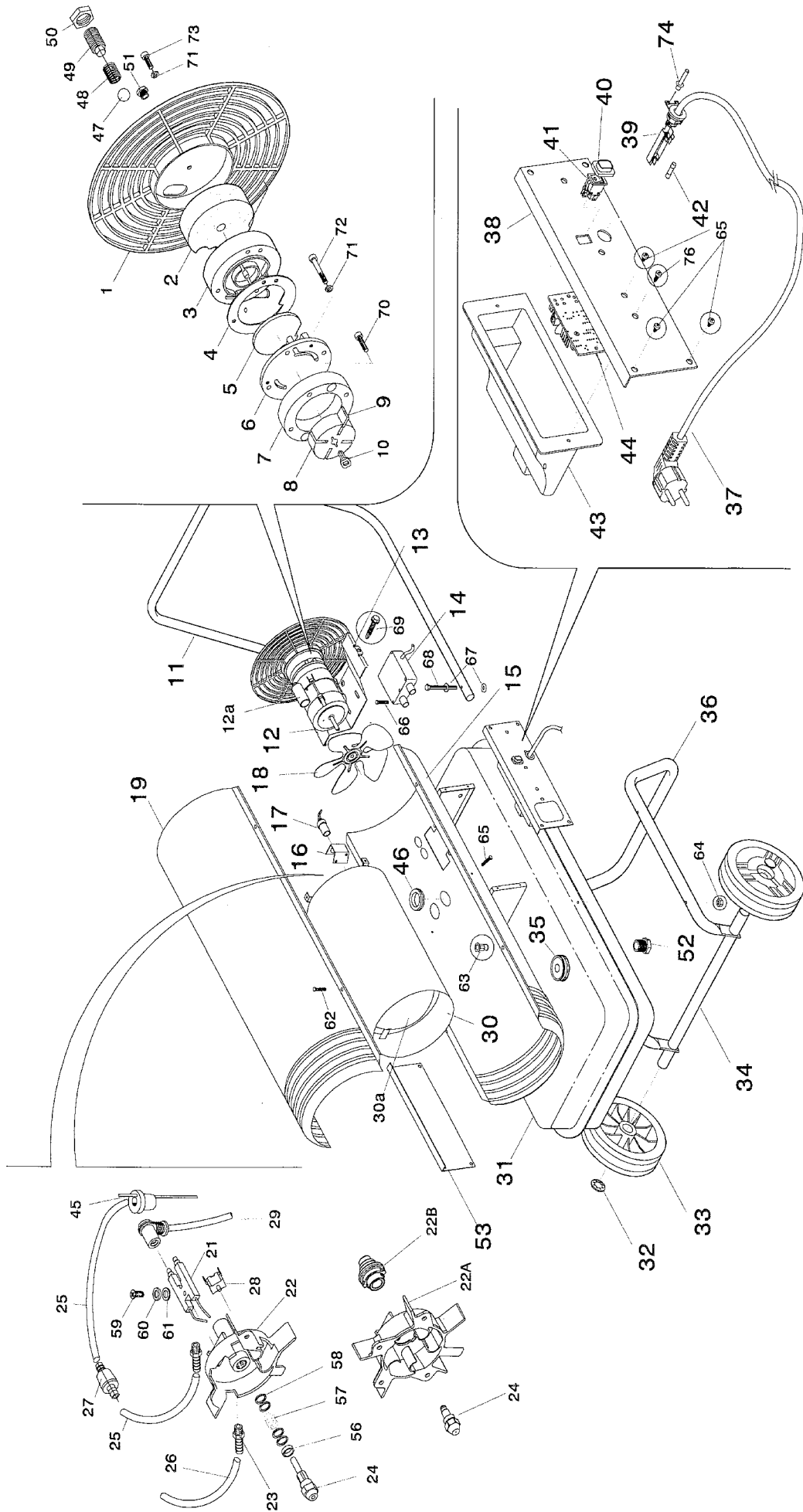
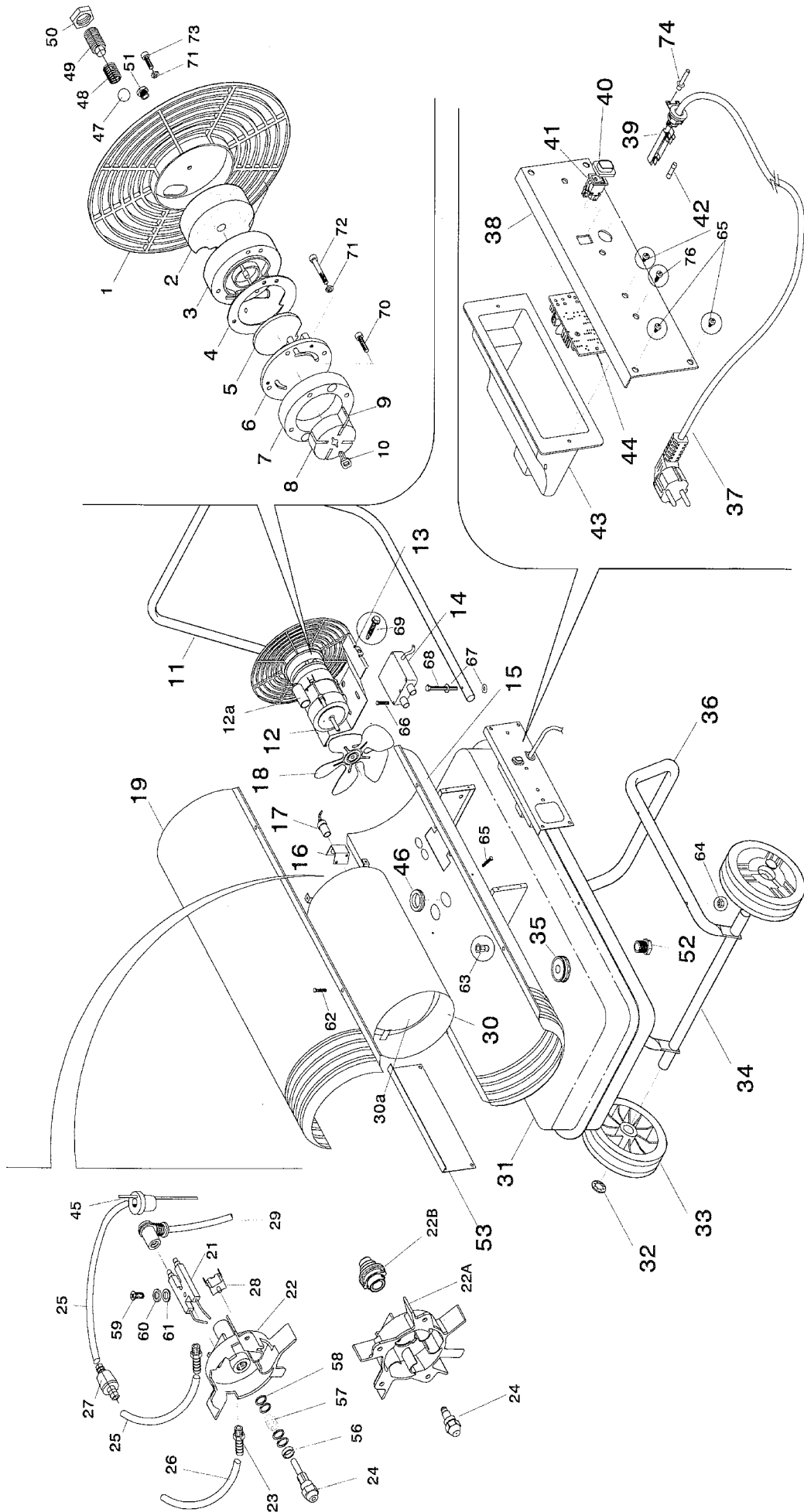


Fig.	Part no.	Pieces	Description	From	To	Notes
1	9021006000211	1	REAR GRID			
2	9021086001711	1	SUCTION FILTER			
3	9021094007311	1	FILTER CASING			
4	9021002001311	1	GASKET			
5	9021086000111	1	OUTLET FILTER			
6	9021094007211	1	COMPRESSOR COVER	jun-05		sost. 1094008111
7	9021099002811	1	STATOR RING TH. 17			
8	9021099001611	1	ROTOR TH. 17			
9	9021099001511	1	BLADE TH. 17			
10	9021001008211	1	COUPLING L17			
11	MANT#GRY2820	1	HANDLE	jun-06		sost. 1033001211-1033003611- 1033004700 - fornire n°2 cavi 1039041311
12	9021040005511	1	MOTOR 150 W 230 V 50 Hz			
12A	9021049001000	1	CAPACITOR 6,3µF			
13	9021094006011	1	MOTOR SUPPORT			
14	9021033004111	1	TRANSFORMER			
15	9021094080511	1	LOWER BODY	jun-06	jun-06	
15	CRPGRYP#028STD11	1	LOWER BODY			
16	9021094013111	1	FLAME SENSOR SUPPORT	jun-06	okt-03	
16	9021094104211	1	FLAME SENSOR SUPPORT	okt-03	okt-03	
17	9021050000311	1	FLAME SENSOR			
17	9021050000911	1	FLAME SENSOR	jun-05		sost. 1050000711
18	9021087003511	1	FAN D. 210 34°			
19	COPERGRYP#028STD911	1	UPPER BODY	jun-06	jun-06	
19	COPGRYP#028STD11	1	UPPER BODY			
21	9021030001111	1	ELECTRODE			
22	9021094007111	1	BURNER HEAD	jun-04	jun-04	
22A	9021094138011	1	BURNER HEAD			
22B	9021001017011	1	NOZZLE HOLDER	jun-04		
23	9021067006011	1	HOSE CONNECTOR		jun-04	
24	9021088005711	1	NOZZLE 0,75 GPH		jun-04	
24	9021088014311	1	NOZZLE 0,75 GPH	jun-04		
25	9021078001611	1	OIL HOSE L=200mm			
26	9021078000311	1	AIR HOSE L=480mm			
27	9021086001911	1	OIL SUCTION FILTER			
28	9021036001611	1	SAFETY THERMOSTAT			
29	9021039005511	1	HT CABLE	jun-02	jun-02	sost. 1039005511- 039033211 - 1039033311 - 1039043500
29	9021039033211	1	HT CABLE		jun-06	
29	9021039041311	1	HT CABLE	jun-06		
30	CAMERA#GRY328	1	COMBUSTION CHAMBER			
30A	9021094051511	1	FLAME SHIELD			
31	SERBGRYP#028STD20	1	TANK			
32	9021022000911	1	WHEEL RING			
33	9021004000311	1	WHEEL D.175 mm			
34	ASSALE#GRY2820	1	AXLE			
35	9021094004311	1	TANK CAP			
36	TELAIOT#GRY02820	1	FRAME			
37	CAVAL#EUR1500EURP2	1	POWER CORD			
37	CAVAL#EUR1500UKSP2	1	POWER CORD			
37	CAVAL#EUR1500SUIP2	1	POWER CORD			
38	CRUSCGRYP#028F20	1	LEFT SIDE PANEL	jun-02	jun-02	
38	CRUSCGRYP#028N20	1	LEFT SIDE PANEL			
39	9021031001800	1	CABLE CLAMP			
40	9021002002755	1	SWITCH CAP			
41	9021032001900	1	SWITCH			
42	9021035001111	1	FUSE 3,15 A DELAYED ACTION	jun-02	jun-02	
43	9021001007736	1	ELECTRICAL PANEL COVER			
44	9021047000811	1	CONTROL UNIT			
44	9021047003611	1	CONTROL UNIT			
45	9021002005711	1	SUCTION GASKET			
46	9021002002100	1	RUBBER RING			
47	9021023002411	1	BALL D.6 mm			
48	9021023004511	1	SPRING			
49	9021023002511	1	ADJUSTING SCREW			
50	9021017002111	1	NUT			
51	9021067006911	1	CAP			
52	9021067006911	1	DRAIN CAP			
53	CRUSCGRYP#028C20	1	SIDE PANEL		jun-04	
56	9021002001111	1	NOZZLE RUBBER RING		jun-04	
57	9021023004111	1	NOZZLE SPRING			
58	9021018001311	1	WASHER		jun-04	
59	9021016006000	1	SCREW			
60	9021018001000	1	WASHER			

K 30 C



K 40 C

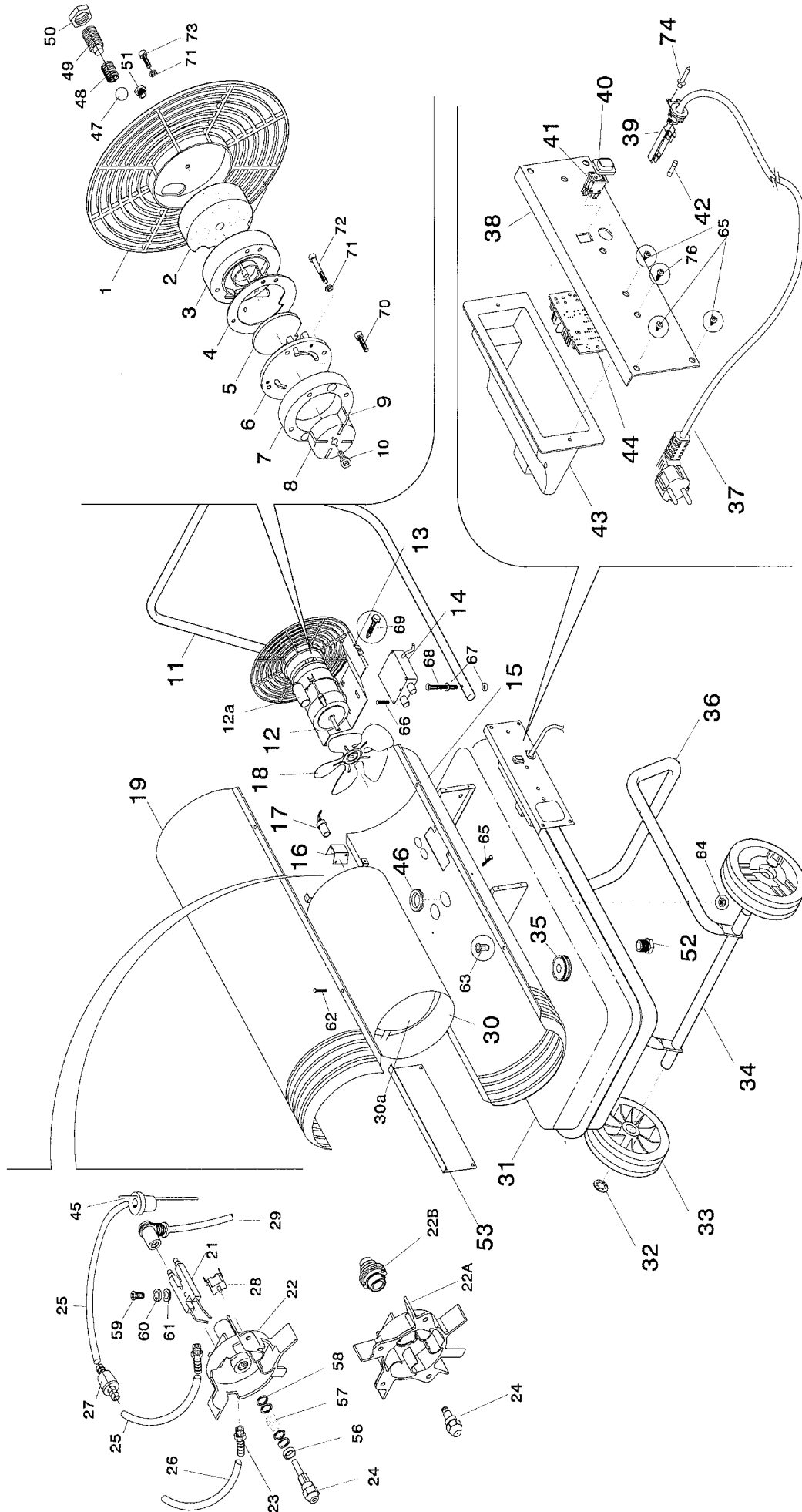
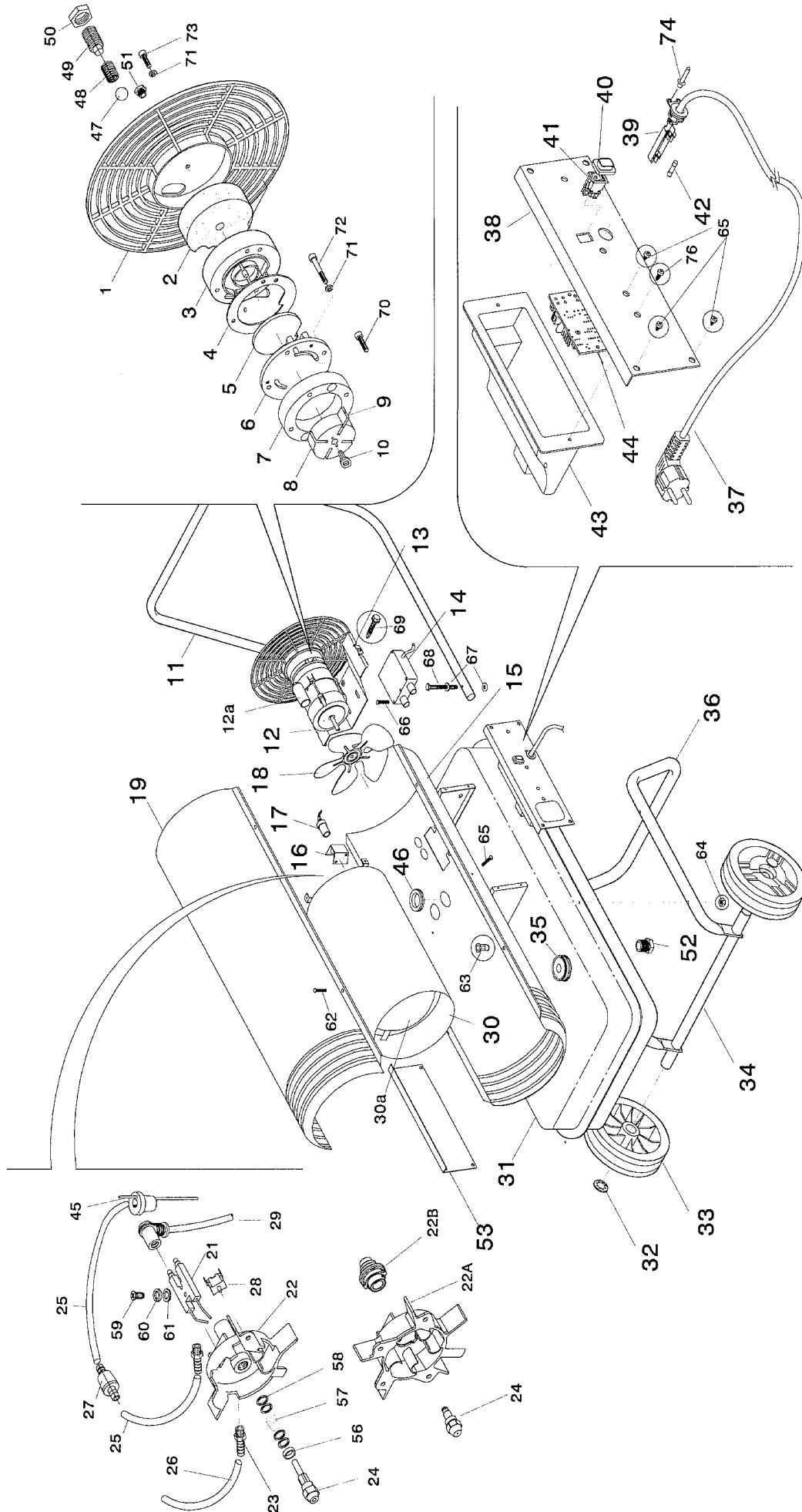


Fig.	Part no.	Pieces	Description	From	To	Notes
1	9021006000311	1	REAR GRID			
2	9021086001711	1	SUCTION FILTER			
3	9021094007311	1	FILTER CASING			
4	9021002001311	1	GASKET			
5	9021086000111	1	OUTLET FILTER			
6	9021094007211	1	COMPRESSOR COVER	jun-05		
7	9021099002911	1	STATOR RING TH. 21			
8	9021099001811	1	ROTOR TH. 21			
9	9021099001411	1	BLADE TH. 21			
10	9021001008311	1	COUPLING L21			
11	MANT#GRY4020	1	HANDLE			
12	9021040005611	1	MOTOR 250 W 230 V 50 Hz			
12A	9021049001000	1	CAPACITOR 6,3µF			
13	9021094006111	1	MOTOR SUPPORT			
14	9021033004111	1	TRANSFORMER	jun-06		
15	9021094077811	1	LOWER BODY	jun-06	jun-06	
15	CRPGRYP#040STD11	1	LOWER BODY			
16	9021094013111	1	FLAME SENSOR SUPPORT	jun-06	okt-03	
16	9021094104211	1	FLAME SENSOR SUPPORT	okt-03	okt-03	
17	9021050000311	1	FLAME SENSOR			
17	9021050000911	1	FLAME SENSOR	jun-05		
18	9021087003611	1	FAN D. 254 34°			
19	COPERGRYP#040STD911	1	UPPER BODY	jun-05	jun-06	
19	COPGRYP#040STD11	1	UPPER BODY	jun-06		
21	9021030001111	1	ELECTRODE			
22	9021094007111	1	BURNER HEAD	jun-04	jun-04	
22A	9021094138011	1	BURNER HEAD			
22B	9021001017011	1	NOZZLE HOLDER	jun-04		
23	9021067006011	1	HOSE CONNECTOR		jun-04	
24	9021088005911	1	NOZZLE 1,00 GPH		jun-04	
24	9021088014411	1	NOZZLE 1,00 GPH	jun-04		
25	9021078000211	1	OIL HOSE L=170mm			
26	9021078000311	1	AIR HOSE L=480mm			
27	9021086001911	1	OIL SUCTION FILTER			
28	9021036001611	1	SAFETY THERMOSTAT			
29	9021039041311	1	HT CABLE	jun-06		
30	CAMERA#GRY340	1	COMBUSTION CHAMBER			
30A	9021094063811	1	FLAME SHIELD			
31	SERBGRYP#040STD20	1	TANK			
32	9021022000911	1	WHEEL RING			
33	9021004000200	1	WHEEL D.200 mm			
34	ASSALE#GRY4020	1	AXLE			
35	9021094004311	1	TANK CAP			
36	TELAJOT#GRY04020	1	FRAME			
37	CAVAL#EUR1500EURP2	1	POWER CORD			
37	CAVAL#EUR1500UKSP2	1	POWER CORD			
37	CAVAL#EUR1500SUIP2	1	POWER CORD			
38	CRUSCGRYP#028F20	1	SIDE PANEL	jun-02	jun-02	
38	CRUSCGRYP#028N20	1	SIDE PANEL			
39	9021031001800	1	CABLE CLAMP			
40	9021002002755	1	SWITCH CAP			
41	9021032001900	1	SWITCH			
42	9021035001211	1	FUSE 5A			
43	9021001007736	1	ELECTRICAL PANEL COVER			
44	9021047000811	1	CONTROL UNIT		jun-02	
44	9021047003611	1	CONTROL UNIT	jun-02		
45	9021002005711	1	SUCTION GASKET			
46	9021002002100	1	RUBBER RING			
47	9021023002411	1	BALL D.6 mm			
48	9021023004511	1	SPRING			
49	9021023002511	1	ADJUSTING SCREW			
50	9021017002111	1	NUT			
51	9021067006911	1	CAP			
52	9021067006911	1	DRAIN CAP			
53	CRUSCGRYP#028C20	1	SIDE PANEL			
56	9021002001111	1	NOZZLE RUBBER RING		jun-04	
57	9021023004111	1	NOZZLE SPRING		jun-04	
58	9021018001311	1	WASHER		jun-04	
59	9021016006000	1	SCREW			
60	9021018001000	1	WASHER			
61	9021018001000	1	WASHER			
62	9021016005211	1	SCREW			
63	9021019001600	1	RIVET			
64	9021017000600	1	NUT			
65	9021016001600	1	SCREW			

K 40 C



KAI 25 C

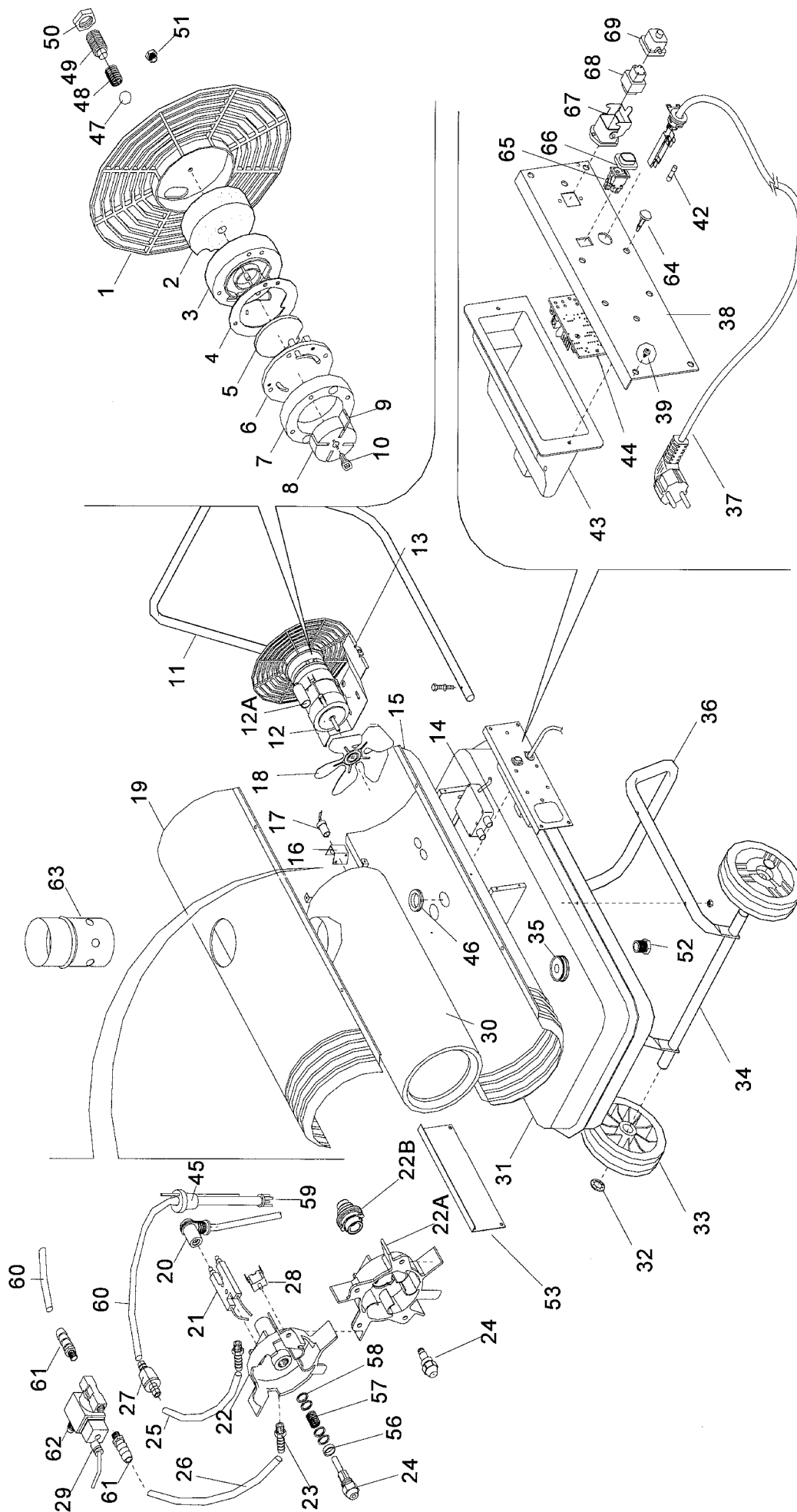


Fig.	Part no.	Pieces	Description	From	To	Notes
1	9021006000311	1	REAR GUARD			
2	9021086001711	1	AIR INLET FILTER			
3	9021094007311	1	PLATE			
4	9021002001311	1	GASKET			
5	9021086000111	1	AIR OUTLET FILTER			
6	9021094007211	1	COVER	jun-05		sost. 1094008211
7	9021099002911	1	STATOR RING			
8	9021099001811	1	ROTOR TH. 21 mm			
9	9021099001411	1	BLADE TH. 21 mm			
10	9021001008311	1	JOINT			
11	MANT#GRY4020	1	HANDLE	jun-06		sost. 1033001211-1033003611-1033004700 - fornire n°2 cavi 1039041311
12	9021040005611	1	MOTOR 250 W 230 V 50 Hz			
12A	9021049001000	1	CAPACITOR			
13	9021094006111	1	MOTOR SUPPORT			
14	9021033004111	1	IGNITION TRANSFORMER			
15	9021094077811	1	LOWER CASING	jun-06	jun-06	
15	CRPGRYP#040STD11	1	LOWER CASING			
16	9021094013111	1	FLAME SENSOR SUPPORT	jun-06	okt-03	
16	9021094104211	1	FLAME SENSOR SUPPORT	okt-03	okt-03	
17	9021050000311	1	FLAME SENSOR		okt-03	
17	9021050000911	1	FLAME SENSOR	jun-04		sost. 1050000711
18	9021087006111	1	FAN D.254 30°			
19	9021094078011	1	UPPER CASING		jun-06	
19	COPGRYP#025APS11	1	UPPER CASING	jun-06	jun-05	
20	9021039043500	1	HT CABLE	jun-05	jun-06	sost. 1039005511-1039033211 -1039033311-1039043500
20	9021039041311	1	HT CABLE	jun-06		
21	9021030001111	1	IGNITION ELECTRODE			
22	9021094007111	1	COMBUSTION HEAD		jun-04	
22A	9021094138011	1	BURNER HEAD	jun-04		
22B	9021001017011	1	NOZZLE HOLDER	jun-04		
23	9021067006011	1	HOSE HOLDER 1/8 1/8		jun-04	
24	9021088005711	1	NOZZLE 0.75 GPH		jun-04	
24	9021088014311	1	NOZZLE 0.75 GPH	jun-04		
25	9021078000211	1	HOSE L=170 mm			
26	9021078001611	1	HOSE L=230 mm			
27	9021086001911	1	OIL FILTER			
28	9021036001611	1	SAFETY THERMOSTAT			
29	9021043002655	1	CABLE + CONNECTOR			
30	CAMGEN#GRY025	1	COMBUSTION CHAMBER			
31	SERBGRYP#040STD20	1	TANK			
32	9021022000911	1	WHEEL RING			
33	9021004000200	1	WHEEL D.200 mm			
34	ASSALE#GRY4020	1	AXLE			
35	9021094004311	1	FILLING CAP			
36	TELAOT#GRY04020	1	FRAME			
37	CAVAL#EUR1500EURP2	1	POWER CORD			
37	CAVAL#EUR1500UKSP2	1	POWER CORD			
37	CAVAL#EUR1500SUIP2	1	POWER CORD			
38	CRUSCGRYP#025F20	1	LEFT SIDE PANEL			
39	9021016001600	1	SCREW			
42	9021035001211	1	FUSE 5A			
43	9021001007736	1	COVER			
44	9021047004711	1	CONTROL BOARD			
45	9021002005711	1	GASKET			
46	9021002002100	1	RUBBER GASKET			
47	9021023002411	1	BALL			
48	9021023004511	1	SPRING			
49	9021023002511	1	SCREW			
50	9021017002111	1	NUT			
51	9021067006911	1	CAP			
52	9021067007000	1	DRAIN CAP			
53	CRUSCGRYP#028C20	1	SIDE RIGHT PANEL			
56	9021002001111	1	NOZZLE GASKET		jun-04	
57	9021023004111	1	SPRING		jun-04	
58	9021018001311	1	WASHER		jun-04	
59	9021001014711	1	SUCTION FITTING			
60	9021078000411	1	RUBBER HOSE L=200 mm			
61	9021067005800	1	HOSE HOLDER			
62	9021042003611	1	SOLENOID VALVE			
63	9021094138733	1	EXHAUST HOOD			
64	9021001015680	1	SPACER			

KAI 25 C

